

● Features

- Dual voltage 12 or 24 VDC (selectable).
- Version Changeable
- The electric strike can be used automatically and manually
- CSIRO Fire-resistance Certificate
- Long life solenoids
- 2000 LBS jaw strength pull testing



GK310-1224



GK311-1224



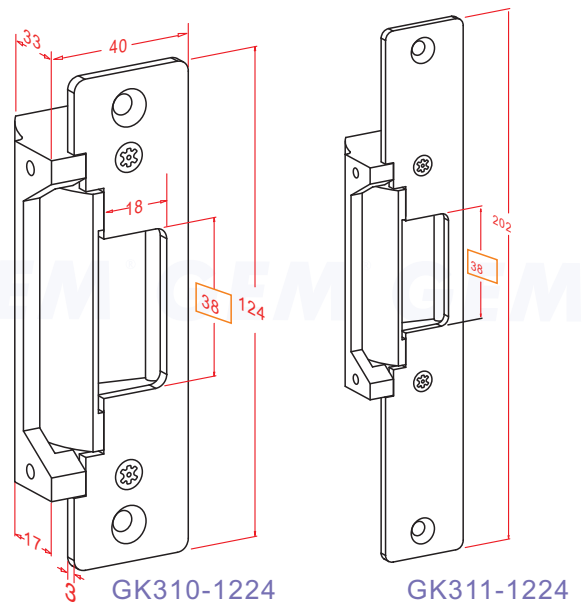
GK350-1224

● Statement

The GK300 series electric strike is dual voltage which the locks supplies high and low voltage electrical power and it can be used for either 12 or 24 VDC operation, and the Gk300 series electric strike is easy changeable between fail-safe and fail-secure in the field. Therefore, with special designed mechanism, this electric strike is ideally suited and meets the varying needs of our customers.

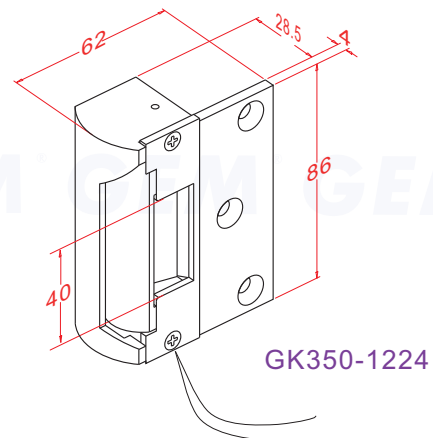
The GK-300 series electric strikes (ANSI-sized) are designed for used with lockset (ex. spring latch), having up to 12 mm keeper depth for in-swinging doors. The units are design for using with most hollow metal frames and aluminum frames. Stainless steel plate ensures strength and long life.

● Dimension



GK310-1224

GK311-1224



Unit : mm

GK350-1224

GIANNI INDUSTRIES, INC.

No. 13, Zhong Sing Road, Tu-Cheng Industrial Zone,
Tu-Cheng City, Taipei, Taiwan 23678
Tel: 886-2 2267 7986 / Fax: 886-2 2267 9876
E-Mail: info@gianni.com.tw
Website: gianni.tw
Copyright 2008 Gianni industries, inc. All rights reserved.
DM-CA-GK300-1224 Ver. B Published on 2008.07.29



The products are manufactured under an ISO 9001 & QC 080000 Certified Quality Management Program environment back its product quality, performance and commitment to customer satisfaction.

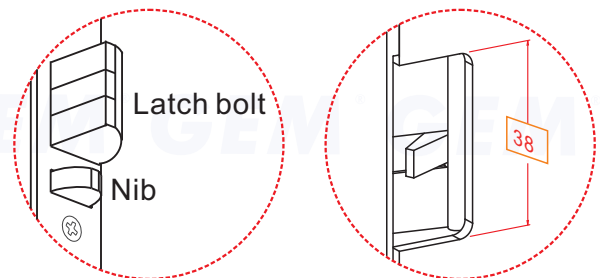
Model Comparison List

Model	Door frame		Application Lockset	Installation	Optional Accessory
GK310-1224	Hollow metal Frames		Latch bolt lock	Flush Mounting	LP-025, LP-050
GK311-1224	Wood Frames		Latch bolt lock	Flush Mounting	LP-025, LP-050
GK350-1224	Hollow metal & Wood Frames		Night Latch	Surface Mounting	

Specifications

- Power Input: 12/24V DC
- Voltage Tolerance: 15%
- Current Draw: 0.28 A@12 VDC; 0.14 A@24 VDC (at temperature 20C)
- Operating Temperature: -10~45C
- Humidity: 0~95% non-condensing.
- Lock's surface Temperature (when the power is on): <current temperature +20C
- 2000 LBS jaw strength pull testing.
- Tested to 1,000,000 cycles.
- Weight)Approx.(: 380 g

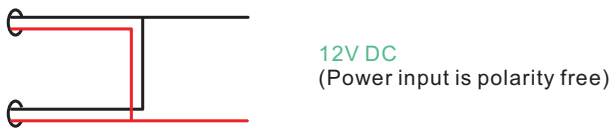
What's Latch Bolt Lock ?



A latch bolt lock is a lock comprising a latch bolt and a nib. When the door is closed, the nib makes the latch a dead bolt. The latch bolt locks into the strike keeper of the door frame to make sure that it is closed. Latch-bolt locks are available in **GK-310** and **GK-311** model.

Voltage Selection

For the 12 VDC operation, the electric strikes have to connect **in Parallel**.

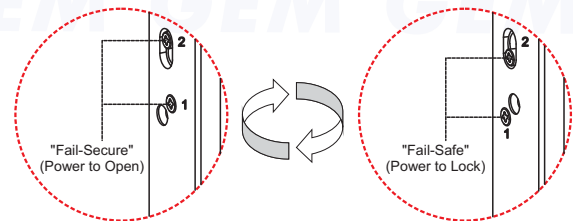


For the 24 VDC operation, the electric strikes have to connect **in series**.



Version Changeable

The GK-300 electric s trike can easily be changed between fail-safe and fail-secure modes. This unique design enables distributors to reduce inventory and still meet varying needs and requirements of end users.



Patents

- ZL 99 2 48179.1 (China)
- US 6299225 B1 (U.S.A.)
- GB2355753 (UK)
- 166716 (Taiwan)

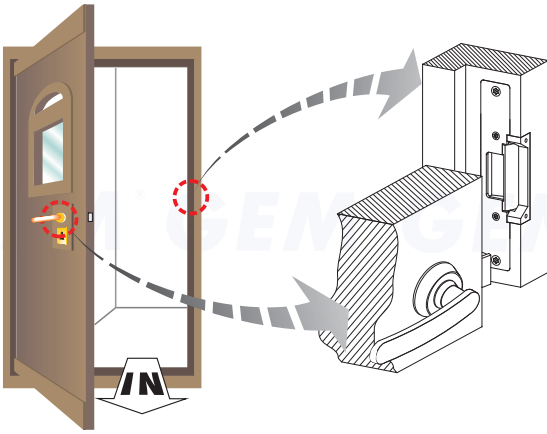
GIANNI INDUSTRIES, INC.

No. 13, Zhong Sing Road, Tu-Cheng Industrial Zone,
Tu-Cheng City, Taipei, Taiwan 23678
Tel: 886-2 2267 7986 / Fax: 886-2 2267 9876
E-Mail: info@gianni.com.tw
Website: gianni.tw
Copyright 2008 Gianni industries, inc. All rights reserved.
DM-CA-GK300-1224 Ver. B Published on 2008.07.29



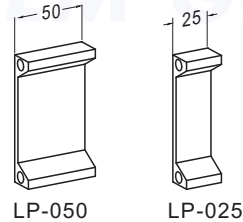
The products are manufactured under an ISO 9001 & QC 080000 Certified Quality Management Program environment back its product quality, performance and commitment to customer satisfaction.

Gk301, 311 Wood Frames Flush Installation

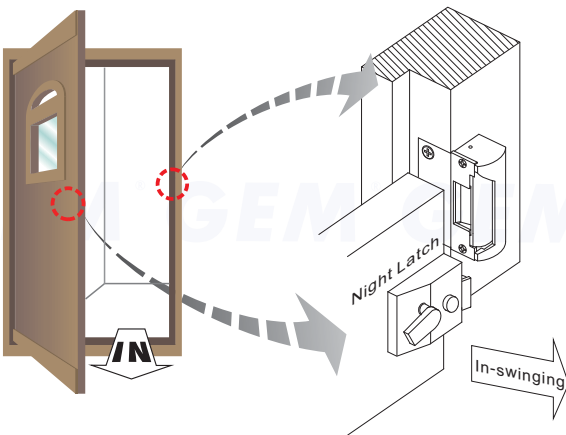


Optional Accessory

Lip extension brackets for the wide jamb.



Gk350 Surface Mount Installation



CSIRO Fire-resistance Certificate

This product, its materials and assemblies have been proven to be fire resistant in accordance with the test procedures of Sponsored Investigation FSV 0609 and the terms of clause 4.1 of Australian Standard 1905, Part 1-1997.

Long life solenoids

Special solenoids designed for strength and long life guarantee a lifetime of at least 1,000,000 cycles.

Warranty

The product is warranted against defects in material and workmanship while used in normal service for a period of 3 year from the date of sale to the original customer. The GEM policy is one of continual development and improvement; therefore GEM reserves the right to change specifications without notice.

GIANNI INDUSTRIES, INC.

No. 13, Zhong Sing Road, Tu-Cheng Industrial Zone,
Tu-Cheng City, Taipei, Taiwan 23678
Tel: 886-2 2267 7986 / Fax: 886-2 2267 9876
E-Mail: info@gianni.com.tw
Website: gianni.tw
Copyright 2008 Gianni industries, inc. All rights reserved.
DM-CA-GK300-1224 Ver. B Published on 2008.07.29



The products are manufactured under an ISO 9001 & QC 080000 Certified Quality Management Program environment back its product quality, performance and commitment to customer satisfaction.